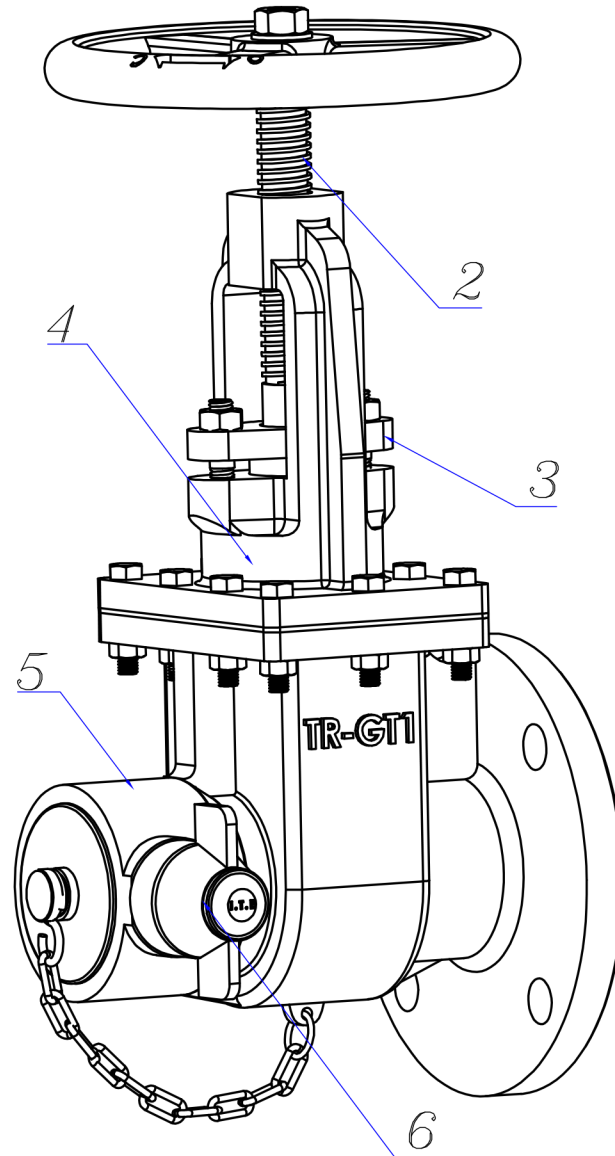



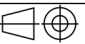
GATE VALVE MODEL TR-GT1



No.	PART NAME	MATERIAL
1	HANDWHEEL	D.CAST IRON
2	STEM	S.STEEL
3	GLAND	GUNMETAL
4	YOKE	GUNMETAL
5	BODY	GUNMETAL
6	RELEASE PLUNGER	BRASS

INLET CONNECTION : 3" #150 (R.F-F.F)

TEST PRESSURE 28 BAR

NOTE: GATE VALVE MODEL TR-GT1					 I.T.E
					 TOL: DIN-7168m
					Size: A4
					Scale: —
Date	Design	Drawn	Checked	REV.	Sheet: 1 Of 1
Part Name: Total			Drawing No: GT1-01		QTY: :
Material: As above chart			PROJECT:		